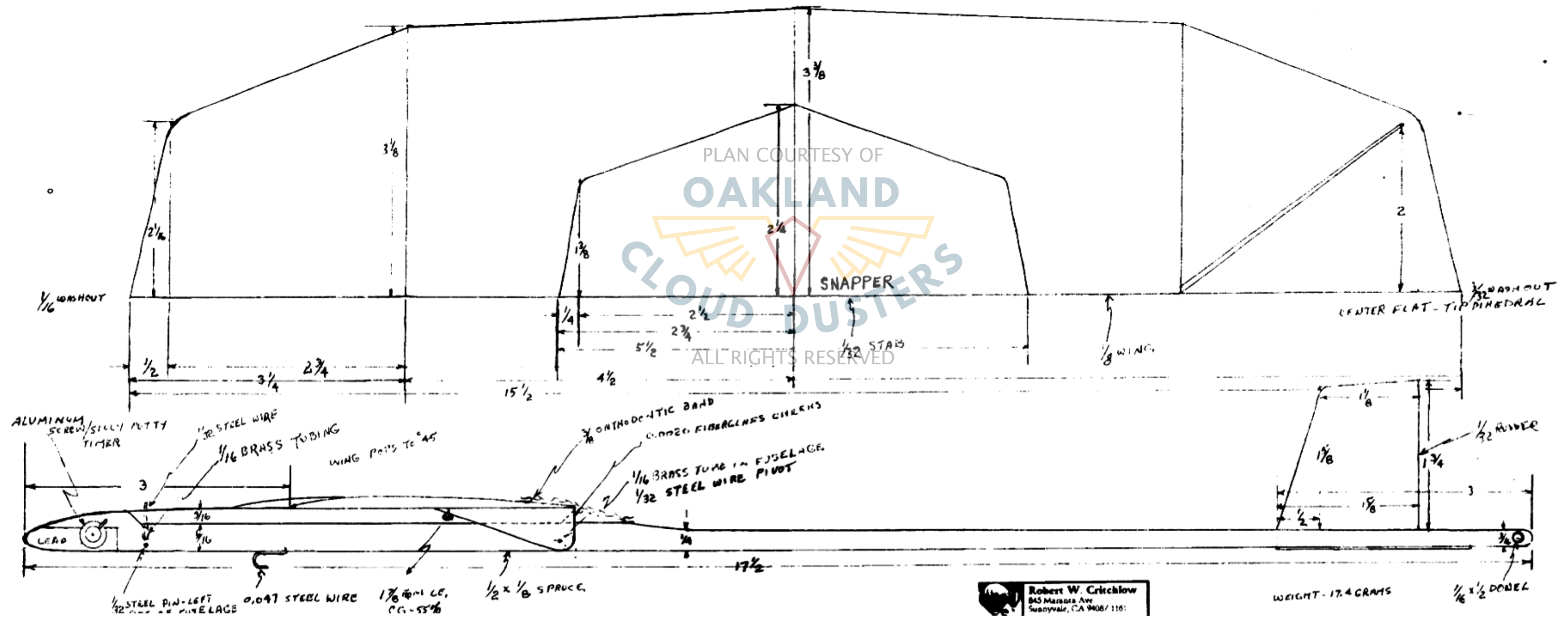


Use 5 and 1/2 inch loop of elastic thread. Attach to top forward pin with two half hitches. To load, wrap very tightly from top pin to bottom pin then over the top pin back to the pivot pin and back forward to the screw/silly putty timer.



PLAN COURTESY OF
OAKLAND

CLOUD DUSTERS
ALL RIGHTS RESERVED

Robert W. Critchlow
845 Marston Ave
Sunnyvale, CA 94087-1161

WEIGHT - 17.4 GRAMS